

Instructor's Station

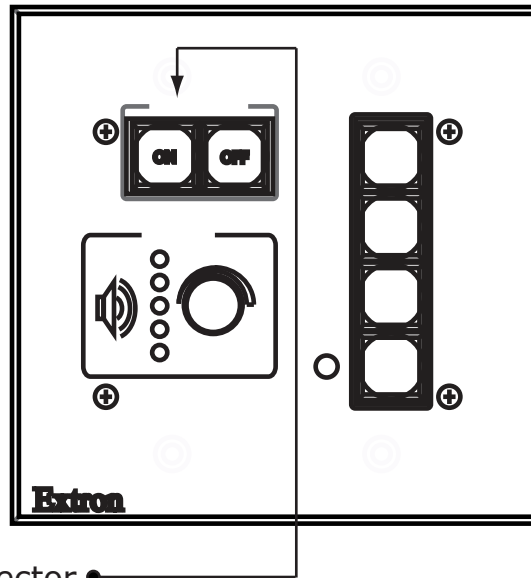
With LCD projection and sound from computer

Building Code & Room Number:

THE NEW SCHOOL
A UNIVERSITY

How to use the projection system:

1. Turn on the station's computer.



2. Turn on the LCD Projector.
3. When finished, turn off the computer(s) and AV devices and disconnect your laptop.

Report urgent, in-class technical problems to Dispatch at 212-229-5300 x4538

Please provide Dispatch with the following information
1) Your location [Building Code & Room Number; see upper right hand corner of page]
2) Contact [Your name, Title, and a number where you may be reached]